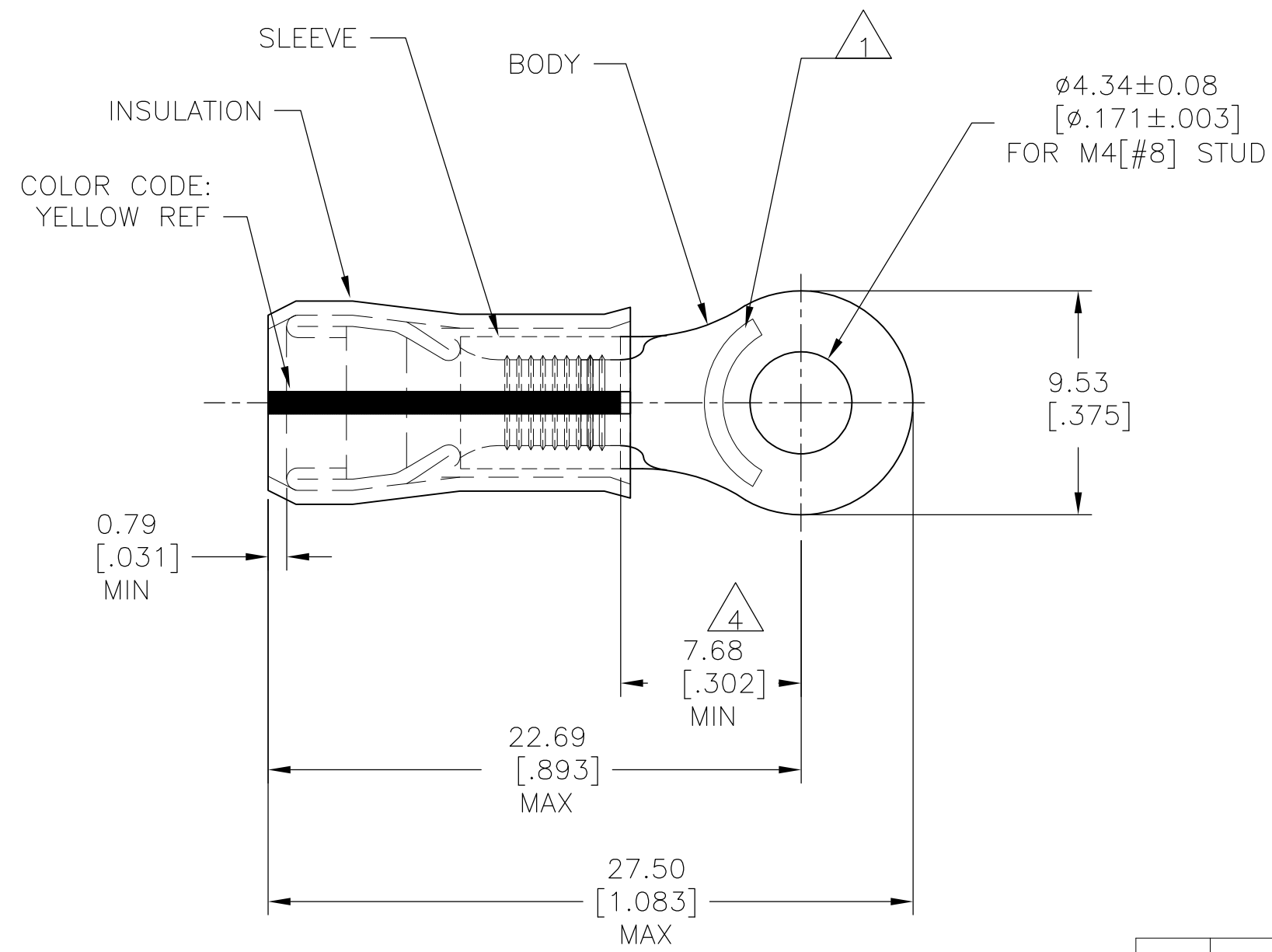


THIS DRAWING IS UNPUBLISHED. RELEASED FOR PUBLICATION
 © COPYRIGHT - By - ALL RIGHTS RESERVED.

LOC	DIST	REVISIONS			
P	LTR	DESCRIPTION	DATE	DWN	APVD
G	14	S3	REVISED PER ECO-12-007718	08MAY12	KH DR



- 1 STAMP AMP 12-10* APPROX AS SHOWN
- 2 WIRE INSULATION DIA: "A" (SEE TABLE)
- 3 TONGUE MATERIAL THK: 0.99 ± 0.05 [.039 ± .002]
- 4 APPLIES FROM EDGE OF METAL WIRE BARREL TO CENTER OF STUD HOLE.
- 5 MEETS M7928/4-156, CLASS 1 & 2
MEETS M7928/13-156, CLASS 1 & 2
- 6 NOTE DELETED

QTY	PACKAGE TYPE	"A"	MATERIAL & FINISH	PART NO
50	LOOSE PIECE, BOX	3.81-5.84 [.150-.230]	MAKE FROM 52424-1	8-53424-2
500	LOOSE PIECE	3.81-6.60 [.150-.260] 3.81-5.84 [.150-.230]	BODY & SLEEVE: COPPER PER ASTM B152 TIN-LEAD (93-7) PLATE PER ASTM B545, (3% MIN LEAD CONTENT) INSULATION: PVF2 COLOR - NATURAL	53424-6 53424-1

AMP INCORPORATED
CUSTOMER SERVICE SYSTEMS

FOR ADDITIONAL PRODUCT INFORMATION OR COPIES OF DRAWINGS AND TECHNICAL DOCUMENTS
 PRODUCT INFORMATION CENTER
 1-800-522-6752

FOR APPLICATION TOOLING INFORMATION
 TOOLING ASSISTANCE CENTER
 1-800-722-1111

FOR ORDER ENTRY
 1-800-526-5142

MAX RECOMMENDED OPERATING TEMPERATURE:
 150°C [302°F] MAX

VOLTAGE RATING:
 -

CIRCULAR MIL AREA:
 2.62-6.64mm² [5,180-13,100] STRANDED

THIS DRAWING IS A CONTROLLED DOCUMENT FOR AMP INCORPORATED. IT IS SUBJECT TO CHANGE AND THE CONTROLLING ENGINEERING ORGANIZATION SHOULD BE CONTACTED FOR THE LATEST REVISION.

THIS DRAWING IS A CONTROLLED DOCUMENT.

DIMENSIONS: mm [INCHES]

TOLERANCES UNLESS OTHERWISE SPECIFIED:

0 PLC	± -
1 PLC	± -
2 PLC	± -
3 PLC	± 0.20 [.008]
4 PLC	± -
ANGLES	± -

MATERIAL: SEE TABLE
 FINISH: SEE TABLE

DWN: JR RUTH 16OCT07
 CHK: T MICHIELUTTI 16OCT07
 APVD: T MICHIELUTTI 16OCT07

STE TE Connectivity

NAME: TERMINAL, RING TONGUE, PVF2, P.I.D.G. WIRE SIZE: 12-10 AWG

SIZE: A3 CAGE CODE: 00779 DRAWING NO: C-53424 RESTRICTED TO: -

WEIGHT: -

CUSTOMER DRAWING SCALE: 4:1 SHEET: 1 OF 1 REV: S3